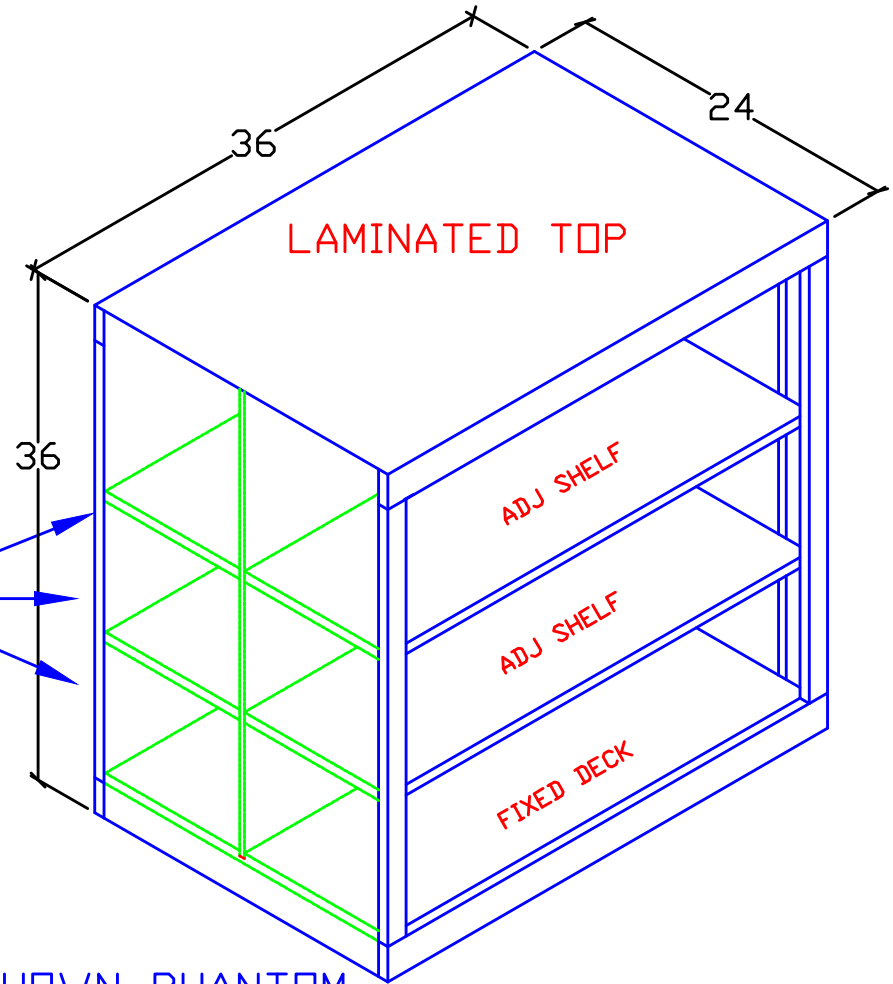


BC36D DOUBLEFACED BOOKCASE

DRAWING	BC36D
CUSTOMER INFORMATION:	
BEFORE ORDERING; PLEASE MEASURE TO MAKE SURE FURNITURE HAS ROOM TO GO THROUGH ALL HALLWAYS, DOORS, STAIRS, ELEVATORS, ETC..TO REACH IT'S INTENDED DESTINATION.	
BY SIGNING THE DRAWING(S) SHOWN THE CUSTOMER ACCEPTS THE FURNITURE ITEM(S) AS SHOWN IN ITS ENTIRETY INCLUDING ALL SIZES AND COMPONENTS.	
ANY DRAWING ALTERATIONS REQUIRE THAT A NEW DRAWING AND QUOTE BE GENERATED BY ACI FURNITURE. FINAL DRAWING MUST BE SIGNED BY THE CUSTOMER. <u>PRIOR TO ORDERING</u>	
CUSTOMER SIGNATURE IS REQUIRED FOR ALL CUSTOM DRAWINGS BEFORE PRODUCTION.	
DRAWING APPROVAL SIGNATURE THIS DRAWING IS THE SOLE PROPERTY OF ACI INDUSTRIES	

CUSTOMER SIGNATURE IS REQUIRED
FOR ALL CUSTOM DRAWINGS BEFORE PRODUCTION
DRAWING APPROVAL SIGNATURE

ADJ SHELVES
TWO SIDES



HIDDEN LINES SHOWN PHANTOM